

Nedbox flush-mounting distribution boxes from 12 to 48 modules

Supplied with earth and
neutral terminal blocks



014 22

014 32

Pack Cat.Nos

IP 40 - IK 07

Class II □
Flush-mounted boxes for partition walls
or masonry
Conform to standard EN 60439-3
12 modules per row (+ 2 cut-to-size)
Incandescent wire resistance to 750°
according to EN 60695-2.1
Two types of finish for rigid reversible doors :
- rounded insulated 12/19 mm
- extra-flat metal 6 mm
Integrated left or right-opening handles
which can be fitted with a key operated lock
Cat.No 014 91

With rounded insulated doors

Pack	White RAL 9010		Capacity in nber of modules	Number of rows	Flush-mounting dimensions Height. x Width. x Thickness
	014 11	014 21			
1	014 11	014 21	12 + 2	1	305 x 330 x 86
1	014 12	014 22	24 + 4	2	430 x 330 x 86
1	014 13	014 23	36 + 6	3	555 x 330 x 86
1	014 14	014 24	48 + 8	4	680 x 330 x 86

With extra-flat metal doors

(frame and door in epoxy-coated steel)

Pack	White RAL 9010	Capacity in nber of modules	Number of rows	Flush-mounting dimensions Height. x Width. x Thickness
1	014 31	12 + 2	1	305 x 330 x 86
1	014 32	24 + 4	2	430 x 330 x 86
1	014 33	36 + 6	3	555 x 330 x 86
1	014 34	48 + 8	4	680 x 330 x 86

Accessories

Fixing kit for partition walls
or dry partition walls-4 cable clips
Key-operated lock n° 850
IP 2-3-phases + neutral terminal block
1 neutral : 1 x 4 of 25 mm² + 12 x 1.5 of 16 mm²
3 phases : 4 x 1.5 of 16 mm²

Semi-flush-mounting kits

Limit the box flush-mounting depth to 70 mm
Can be fitted on all boxes
Supplied with thickness adjustment frame
and fixing kit Cat.No 014 90
1 row for box 014 11/014 21
2 rows for box 014 12/014 22
3 rows for box 014 13/014 23
4 rows for box 014 14/014 24

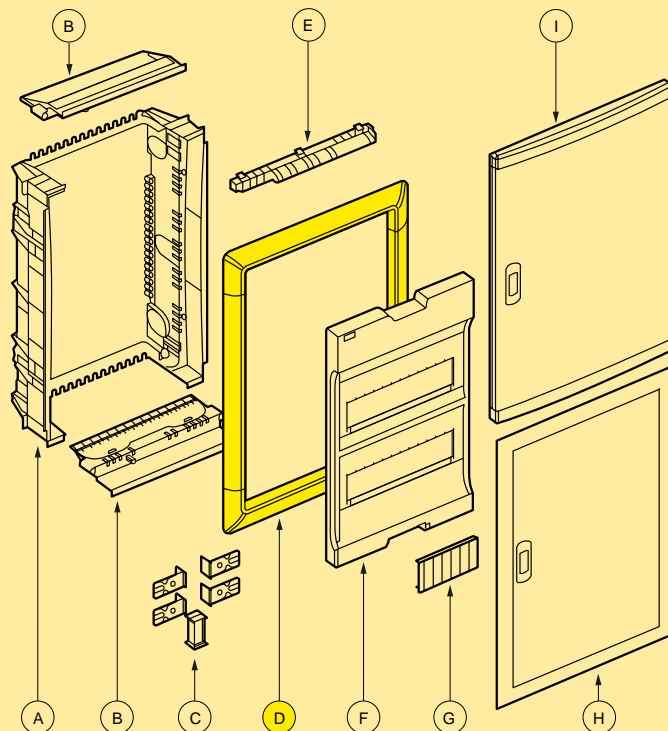
Pack	White RAL 9010
1	014 41
1	014 42
1	014 43
1	014 44

Composition of terminal blocks

Cat.Nos	Nber of modules	Holes			
		Earth		Neutral	
		1.5 - 16 mm ²	1.5 - 10 mm ²	1.5 - 16 mm ²	1.5 - 10 mm ²
014 11/21/31	1 x (12+2)	6	6	6	6
014 12/22/32	2 x (12+2)	8	8	8 ⁽¹⁾	8 ⁽¹⁾
014 13/23/33	3 x (12+2)	15	15	12 ⁽¹⁾	12 ⁽¹⁾
014 14/24/34	4 x (12+2)	15	15	18 ⁽²⁾	18 ⁽²⁾

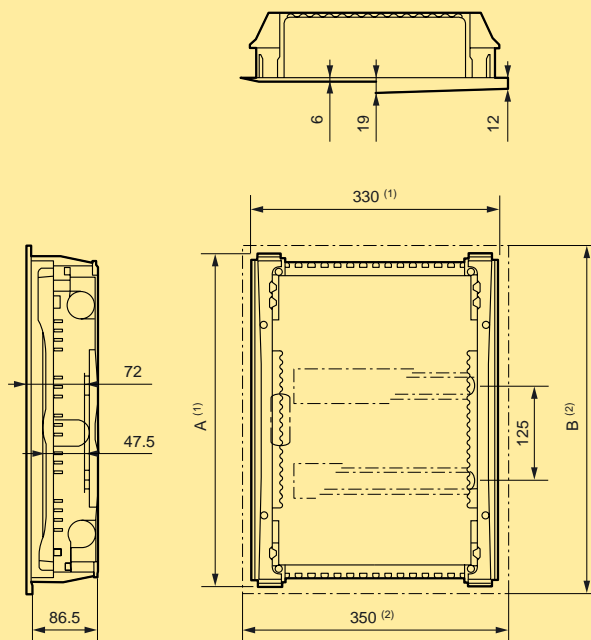
(1) : distributed on 2 terminal blocks
(2) : distributed on 3 terminal blocks

Nedbox flush-mounting distribution boxes from 12 to 48 modules



- A : flush-mounting box
B : throughwiring plate
C : sealing and association lugs
D : semi-flush-mounting frame : 70 mm
E : isolated terminal blocks
F : removable faceplate
G : extra-flat metal door frame
H : extra-flat metal door frame
I : moulded material door frame

Dimensions



	1 x 12	2 x 12	3 x 12	4 x 12
A	305	430	555	680
B	335	460	585	710

(1) : Flush-mounting dimensions
(2) : Dimensions of face