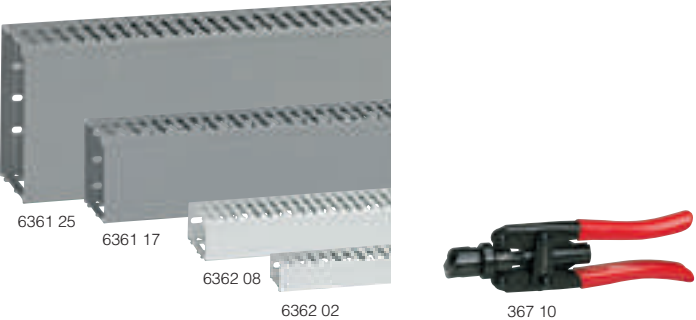


# Transcab cable ducting



6.5 mm wide fingers with a 6 mm spacing  
 Accepts up to 6 mm<sup>2</sup> without breaking side wall finger  
 Two pre-scored lines allow removal of fingers  
 2 m length  
 Bump on side wall fingers help cabling  
 Separation of circuits possible using dividers  
 Rounded fingers prevent injury during cabling  
 Conform to EN 500 85 parts 2 and 3  
 Approvals:  
 CSA (Canada) No 700 861  
 UL (USA) No 196 692  
 RAL 7030 Grey PVC / RAL 7035 PC ABS halogen free

### Plastic cable ducting (base + cover)

Pack <sup>(1)</sup>	Cat.Nos		Width x Height (mm)	Capacity (mm <sup>2</sup> )
32	Grey RAL 7030	6360 95	15 x 25	264
60	6361 00	6362 00	25 x 25	391
56	6361 05		40 x 25	692
40	6360 96		15 x 40	455
56	6361 01	6362 01	25 x 40	720
48	6361 06	6362 06	40 x 40	1245
32	6361 11		60 x 40	1932
24	6361 15		80 x 40	2647
24	6361 19		100 x 40	3363
56	6361 02	6362 02	25 x 60	1159
48	6361 07	6362 07	40 x 60	2007
32	6361 12	6362 12	60 x 60	3115
24	6361 16		80 x 60	4200
24	6361 20		100 x 60	5307
16	6361 24		120 x 60	6403
40	6361 03		25 x 80	1600
40	6361 08	6362 08	40 x 80	2717
32	6361 13	6362 13	60 x 80	4216
24	6361 17	6362 17	80 x 80	5715
16	6361 21		100 x 80	7215
16	6361 25	6362 25	120 x 80	8729
24	6361 09		40 x 100	3354
24	6361 14		60 x 100	5216
20	6361 18		80 x 100	7078
16	6361 22		100 x 100	8960
12	6361 23		150 x 100	13683

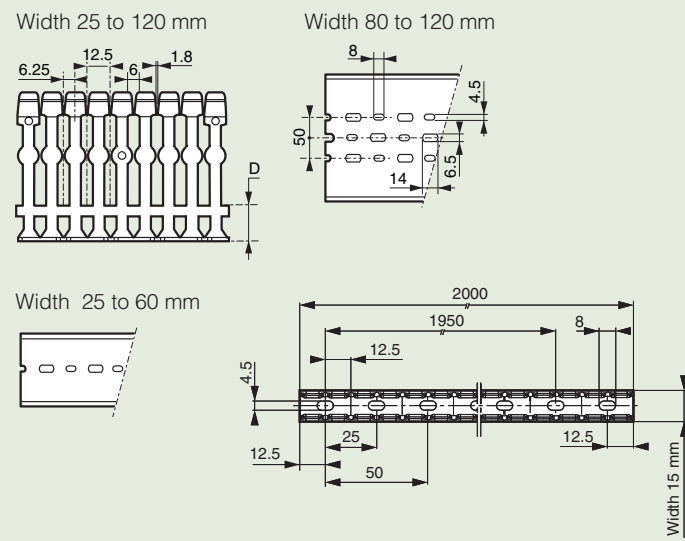
### Accessories

50	367 02	Label holder 4/6 and 6/6.5
36	370 10	Text extension (cover 15 mm width)
1	367 10	Cutter tool for 6/6.5 for Lina 25 and Transcab cable ducting routing
25	6361 77	Spiral sleeving 6 mm
25	6361 78	Spiral sleeving 12 mm
25	6361 83	Spiral sleeving 22 mm
25	6361 79	Spiral sleeving 12 mm - fire proof

# Lina 25™ and Transcab cable ducting

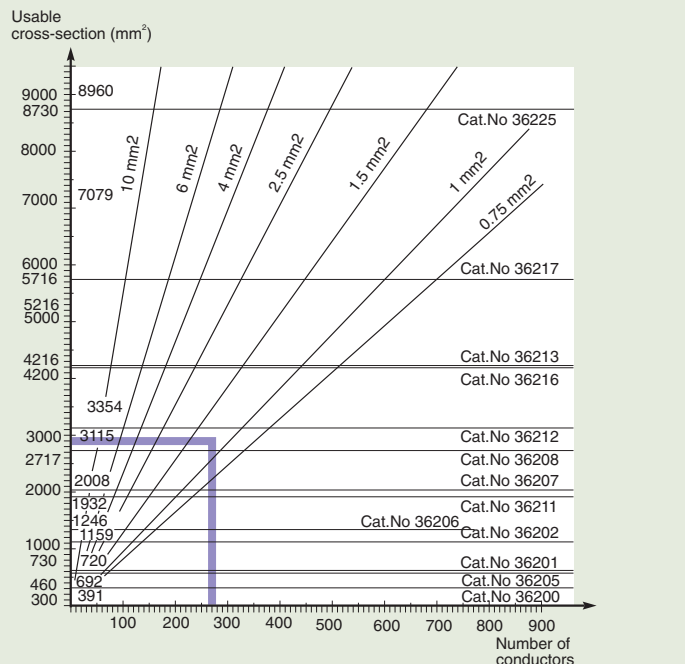
### Dimensions

Cat.Nos	A (mm)	B (mm)	C (mm)	D (mm)
362 00 / 6361 00	25	25	6	10.1
362 01 / 6361 01	25	40	5	12.6
362 02 / 6361 02	25	60	6	16.1
362 05 / 6361 05	40	25	10	10.1
362 06 / 6361 06	40	40	10	12.6
362 07 / 6361 07	40	60	10	16.1
362 08 / 6361 08	40	80	10	18.6
362 11 / 6361 11	60	60	10	16.1
362 12 / 6361 12	60	60	10	16.1
362 13 / 6361 13	60	80	10	18.6
362 16 / 6361 16	80	60	10	16.1
362 17 / 6361 17	80	80	10	18.6
362 25 / 6361 25	120	80	10	18.6



### Calculating the ducting usable cross-section

Graph for H 05 V-K and H 07 V-K cables with 0.75 packing coefficient



Example:  
 150 conductors 0.75 mm<sup>2</sup> → 1 230 mm<sup>2</sup> cross-section and  
 120 conductors 1.5 mm<sup>2</sup> → 1 700 mm<sup>2</sup> cross-section  
 Makes a total of 2930 mm<sup>2</sup>  
 The correct cable ducting is Cat.No 362 12, 60 x 60,  
 with a capacity of 3 115 mm<sup>2</sup>

(1) Number of meters contained in each pack