

XL VDI 19" wall mounting cabinets

General characteristics

Metal wall mounting cabinets
 Textured polyester coating RAL 9002 providing excellent corrosion and scratch resistance
 Front door made of safety glass
 Protection class against solid bodies and liquids: IP 20
 Protection class against mechanical impact: IK 08
 Max. load: 3 kg/U (i.e.: 48 kg for a 16 U wall mounting cabinet)
 12 kg for the mini XL VDI cabinet

Conformity to standards

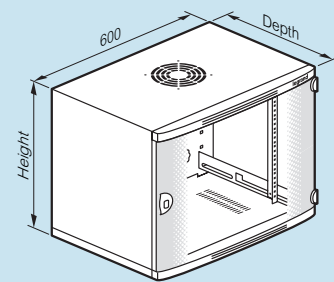
The XL VDI 19" wall mounting cabinets are in accordance with the following standards:

IEC 60529 EN 60529	Degrees of protection provided by enclosures (IP code)
IEC 62262 EN 62262	Degrees of protection provided by enclosures for electrical equipment against external mechanical impact (IK code)
IEC 60950 - 1 EN 60950 - 1 C 77-210 - 1	Information technology equipment - Safety
EIA-310-D	Cabinets, racks, panels and associated equipment (ANSI/EIA/310-D-1992)
IEC 60297-1 & 2 DIN 41414-7	Dimensions of mechanical structures of the 482.6 mm (19") series

The XL VDI 19" wall mounting cabinets are designed to be integrated in installations that are in accordance with the following standards:

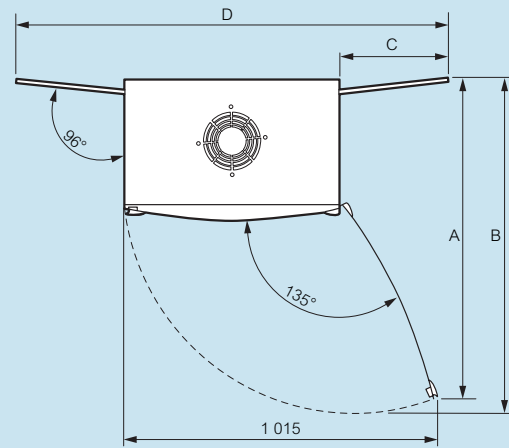
EN 50173-1	Information technology - Generic cabling systems
EN 50174-1 & 2 C 90-480-1 & 2	Information technology - Cabling installation
ISO IEC 11801	Information technology - Generic cabling for customers premises
NF C 15-100 Part 4-41	Low voltage electrical installations
UTE C90-483	Cabling of communication network for homes

Dimensions (mm)

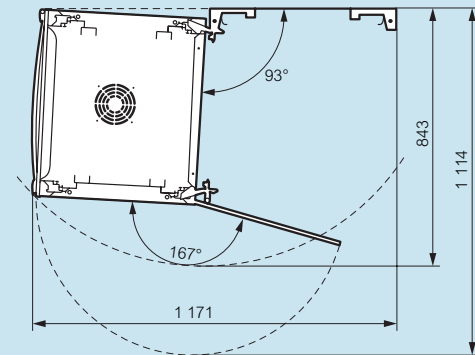


	Cat.Nos	Capacity	Height	Width	Depth
Fixed cabinets	340 36	6 U	350	600	400
	340 37	9 U	500		
	340 38	12 U	600		
	340 46	9 U	500		580
	340 48	12 U	600		
Pivoting cabinets	340 49	16 U	800	600	600
	340 51	9 U	500		
	340 52	12 U	600		
	340 53	16 U	800		
Mini VDI cabinets	329 81	6 U	350	340	300

Front door and panels opening

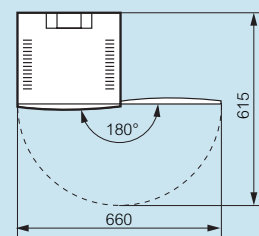


Pivoting body opening



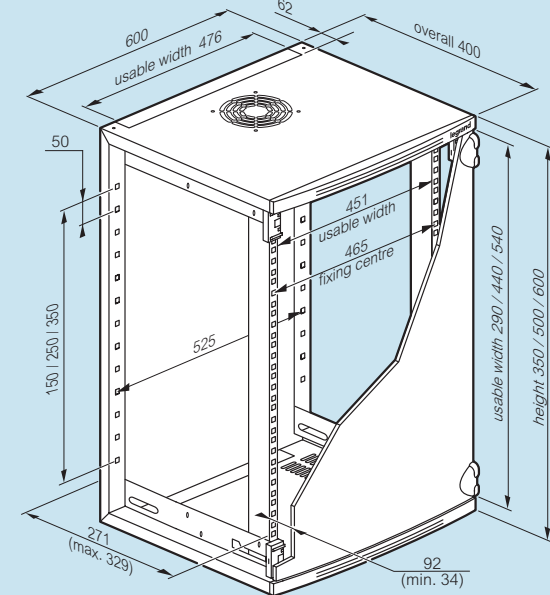
	Cat.No	Front door open A	Front door open B	Panels open C	Panels open D
Fixed cabinets	340 36			305	1205
	340 37	800	962		
	340 38				
	340 46			482.5	1565
	340 48	978	1140		
Pivoting cabinets	340 49				
	340 51			482.5	1565
	340 52	1014	1179		
	340 53				

Mini VDI cabinet door opening

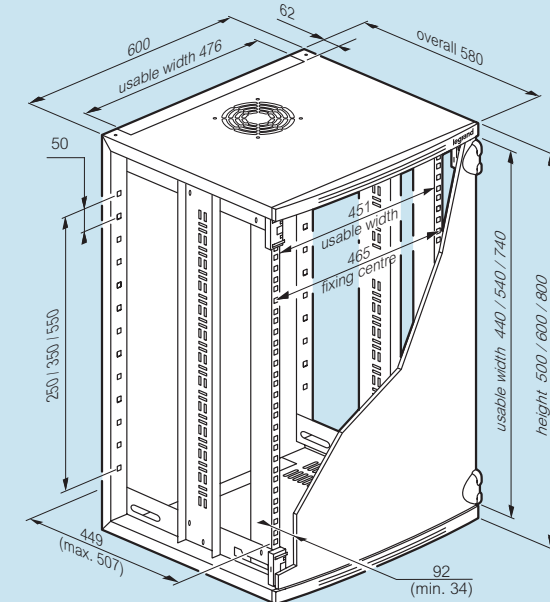


Usable depth (mm)

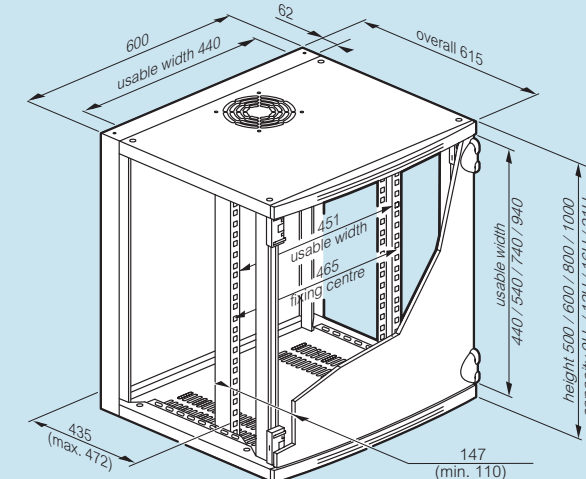
400 mm depth fixed cabinets



580 mm depth fixed cabinets

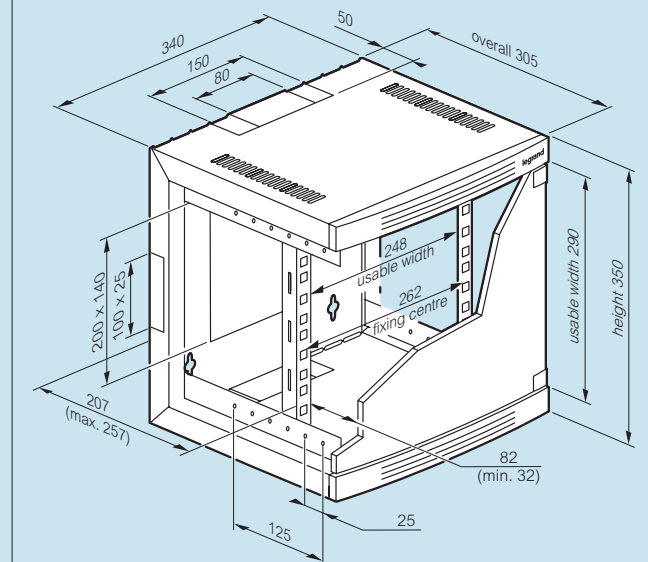


600 mm depth pivoting cabinets

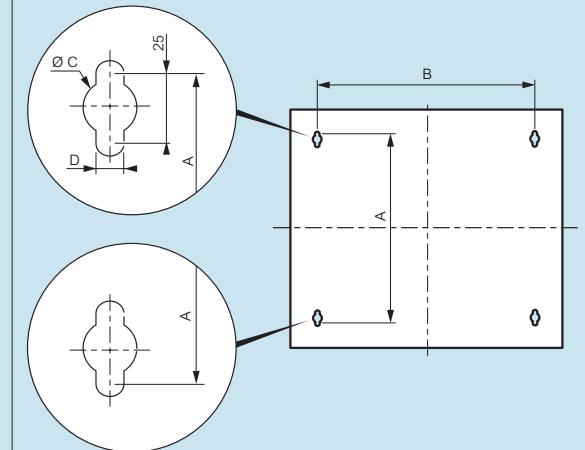


Usable depth (mm)

300 mm depth fixed cabinets



Fixing of wall-mounting cabinets (mm)



	Capacity	A	B	C	D
Fixed cabinets	6 U	250	406,4	20	11
	9 U	400			
	12 U	500			
	16 U	700			
Pivoting cabinets	9 U	425	500	18	9
	12 U	525			
	16 U	725			
	21 U	925			
Mini cabinet	6 U	275	250	15	6,5